



9' Morphing Market Umbrella with Cover

Assembly & Care Instructions

Item: UMB-950505
M51603



**IMPORTANT : RETAIN FOR FUTURE REFERENCE
READ CAREFULLY**

For assistance with assembly, parts, or customer service, please contact:

ATLeisure, LLC

Toll Free: 1-855-880-7205 (English is offered)

8am - 5pm, Monday through Friday, Eastern Standard Time

Email: customerservice@atleisure.com or visit our website at www.atleisure.com

DO NOT RETURN TO STORE

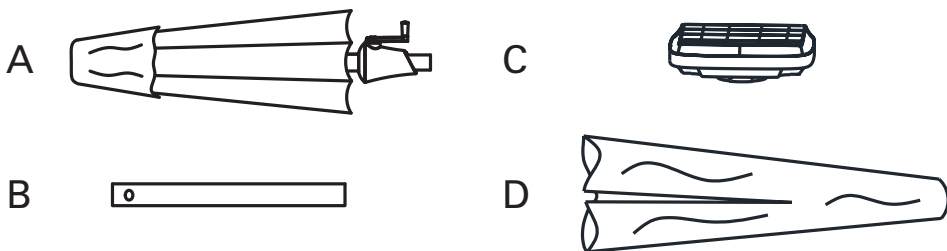
For indoor/outdoor domestic use only. Not for commercial use.

Designed in USA
Made in China

Contents

Package Contents	2
Preparation	2
Care and Maintenance	2
Set-Up and Operation	3-4
Replace Batteries	5-6
Battery Disposal Instructions	6
Replacement Parts	6
Warranty	7
Warnings and Cautions	7

Package Contents



Part	Description	Quantity
A	Umbrella Frame with Canopy	1
B	Bottom Pole	1
C	Solar Panel	1
D	Removable Cover	1

Preparation

CAUTION: Do not use sharp tools to remove the protective material, as it may damage the product.

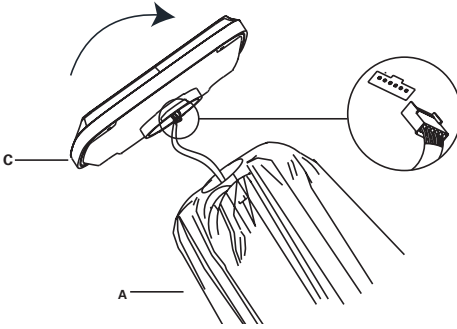
Before assembling make sure all parts are present. Compare parts with package contents list. If any part is missing or damaged, do not attempt to assemble the product. Contact our customer service representative for assembly assistance or questions toll free at 1-855-880-7205.

Estimated Assembly Time: 10 minutes
Tools required for Assembly: No tools required

Care and Maintenance

- Simply clean the umbrella canopy with soft brush and mild detergent.
- Do not machine wash or dry.
- Do not iron.
- AIR DRY the canopy thoroughly before storing for extended period of time.

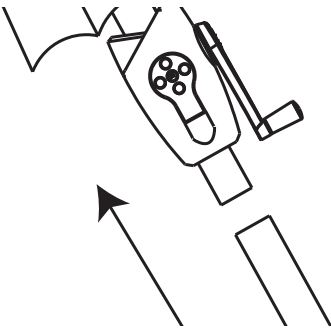
Set-Up and Operation



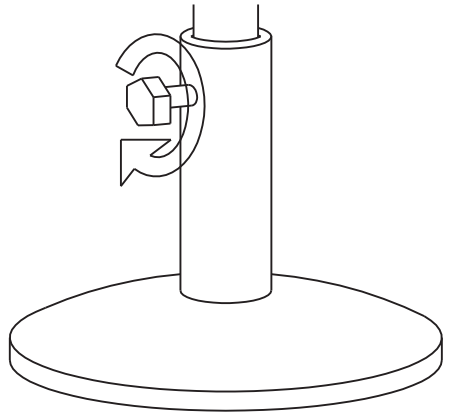
Step 1: Insert the plug from the Umbrella Frame with Canopy (A) into the socket under the Solar Panel (C).



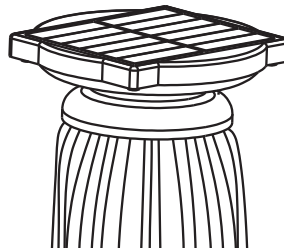
Step 2: Put the Solar Panel (C) on the top of umbrella (A) and hide the wire inside the groove at the top of umbrella. Then turn the solar panel counter-clockwise, do not to over tighten.



Step 3: Insert the bottom pole into the upper pole while pressing the snap button on the upper pole until the snap bottom locks into position.



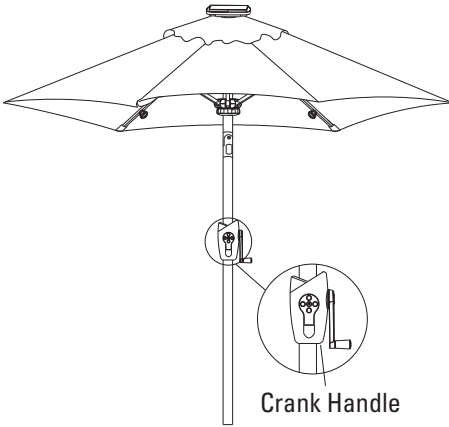
Step 4: We recommend that you stand and secure the umbrella to an umbrella base (not included).



Step 5: Put the solar umbrella in the sunlight to charge the batteries before the first use.

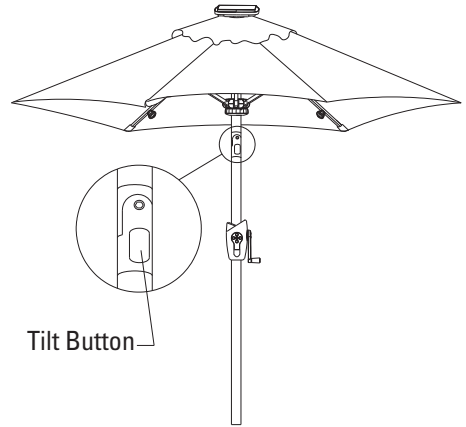
Make sure to charge the batteries for at least 8 hours before the first use, otherwise it will shorten lifespan of the batteries and decrease performance.

Set-Up and Operation



Step 6: Turn the crank handle in the clockwise direction to open the umbrella canopy. Turn the crank in the opposite direction to close the canopy.

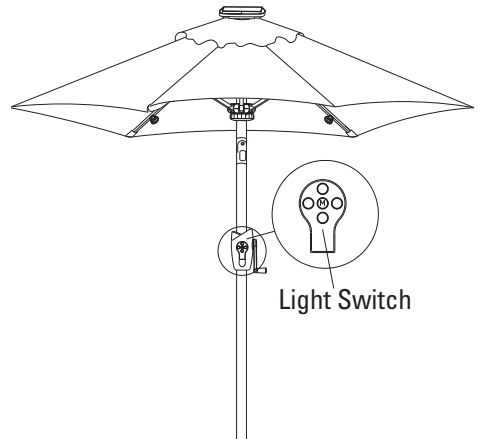
The umbrella must be upright position in order to close.



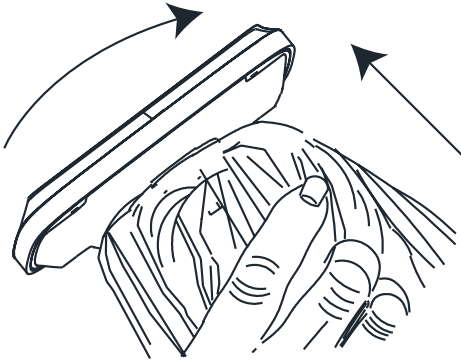
Step 7: To tilt the umbrella, press the Tilt Button to release the umbrella top. Release the button to maintain the desired angle.

Step 8: Light Operation

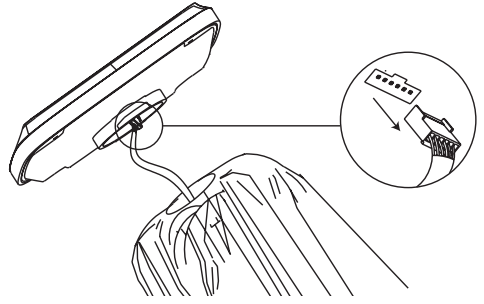
1. Press the upper white button to turn on power, white is the default light color.
2. Press the red button to turn the lights to red.
3. Press the green button to turn the lights to green.
4. Press the blue button to turn the lights to blue.
5. Press the middle yellow button with "M"; the 4-color lights will change from one color to the next color automatically.
6. The upper white button is the main switch. If the lights are on white, then press it once to turn the lights off. If the lights are on a color, press the white button twice to turn the power off.



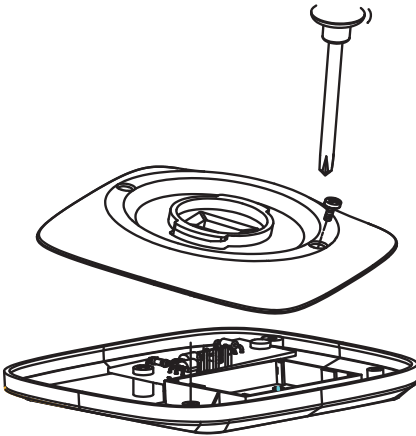
Replace Batteries



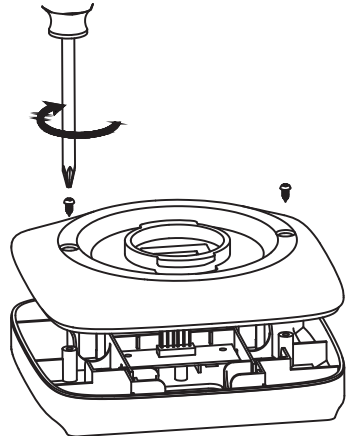
Step 1: Twist clockwise and remove the solar panel from the top of the umbrella.



Step 2: Pull the plug out of the socket under the solar panel. Pull by holding the plug, not by pulling on the wires.



Step 3: Put the solar panel upside down on a flat, soft surface and loosen all the screws. Carefully open the bottom case and set aside. Replace the batteries, matching the +/- on the batteries with the +/- on the battery case.



Step 4: Carefully put the bottom case back. Align the screw holes and replace the screws. Do not over tighten the screws.

We recommend that you change the battery in your solar light umbrella every year or when you feel the light output is diminished. For best results buy (1) 18650 Lithium 2200mAh rechargeable battery same as supplied with panel. Install only new batteries.



WARNING: Failure to insert battery in the correct polarity, as indicated in the battery compartment, may shorten the life of the battery or cause the battery to leak. Do not dispose of battery in a fire. Battery should be recycled or disposed of as per state and local guidelines. Do not mix old and new batteries. Do not mix Alkaline, Standard (Carbon-Zinc) or Rechargeable (Nickel Cadmium) or (Nickel Metal Hydride) batteries.

Replace Batteries (continued)

ATTENTION: You must charge batteries before first use.

Please note that battery can discharge if they are left unused or uncharged for a long period of time. Since there can be a six-month period between production and final customer purchase, we recommend you charge your solar umbrella for at least 8 hours in direct sunlight before the first use. Failure to charge the battery will result in premature dimming of the lights in your new solar umbrella. For everyday normal use, turn on the light switch at night when you want to use solar light and turn off the switch after use.

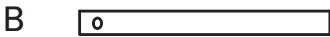
NOTE: PLEASE REMOVE THE PLASTIC FILM ON THE SOLAR PANELS AS THIS PROTECTIVE COATING IS TO PREVENT DAMAGE IN SHIPPING AND MUST BE REMOVED FOR SOLAR PANEL TO FUNCTION PROPERLY.

Battery Disposal Instructions

- For best results, use 18650 Lithium (2200mAh) rechargeable battery same as supplied with panel.
- Install only new batteries of the same type in your product.
- Failure to insert batteries in the correct polarity, as indicated in the battery compartment, may shorten the life of the batteries or cause batteries to leak.
- Do not mix old and new batteries.
- Do not mix Alkaline, Standard (Carbon-Zinc) or Rechargeable (Nickel Cadmium) or (Nickel Metal Hydride) batteries.
- Batteries should be recycled or disposed of as per state and local guidelines.

Replacement Parts

For replacement parts, call our customer service department at 1-855-880-7205, 8:00am-5:00pm., EST, Monday-Friday.



Part	Description	Re-Order Number
C	Solar Panel	SOL-PMOR3-T
B	Bottom Pole (38mm)	BMP-38SSN-BRZ-T
E	Canopy	CAN-9M8RBP-T-BL,RD,TPE,TO,MCS
D	Cover	CVR-9M8RBP-T-BL,RD,TPE,TO,MCS

Warranty

1 YEAR WARRANTY

This product is covered under a manufacturer's 1 year warranty from date of purchase against defects in materials and workmanship. This warranty does not cover damage due to neglect, abuse or weather related damage. For full warranty disclosure, email us at customerservice@atleisure.com, call toll free at 1-855-880-7205 or send mail to: 1040 Boulevard SE Ste. B, Atlanta GA 30312.

This warranty gives you specific legal rights and you may also have other rights that vary from state to state.

HOW TO FILE A CLAIM

If you are within your warranty, you must have your receipt and pictures of your information to send to ATLeisure at customerservice@atleisure.com, or send by mail to 1040 Boulevard SE Ste. B, Atlanta GA 30312.

Warnings and Cautions



WARNING: Keep children away from umbrella during assembly to avoid injury.



WARNING: To prevent damage to the canopy, open the umbrella facing the opposite direction that the wind is blowing.



WARNING: Do not use the umbrella during periods of high winds and rain as this may result in personal injury and/or damage.



WARNING: Always take the umbrella down when not in use.



CAUTION: If the crank becomes too hard to crank, check to see if the rope has come off the pulley. If you continue to turn the crank, the rope or crank handle could break.



CAUTION: Placement of the umbrella over or near a swimming pool can cause premature fading of the canopy. This is not covered under our warranty.



CAUTION: We recommend that you insert the umbrella into an umbrella base (not included) for securing the umbrella.

This Atleisure product is covered by U.S. Patent No. 7,533,679 and Patent No. 7,604,015. Patent Pending.



ATLeisure, LLC
1040 Boulevard SE, Suite B
Atlanta, Georgia 30312, USA

Customer Service Toll Free 1-855-880-7205

8am - 5pm Eastern Time, Monday through Friday

www.atleisure.com