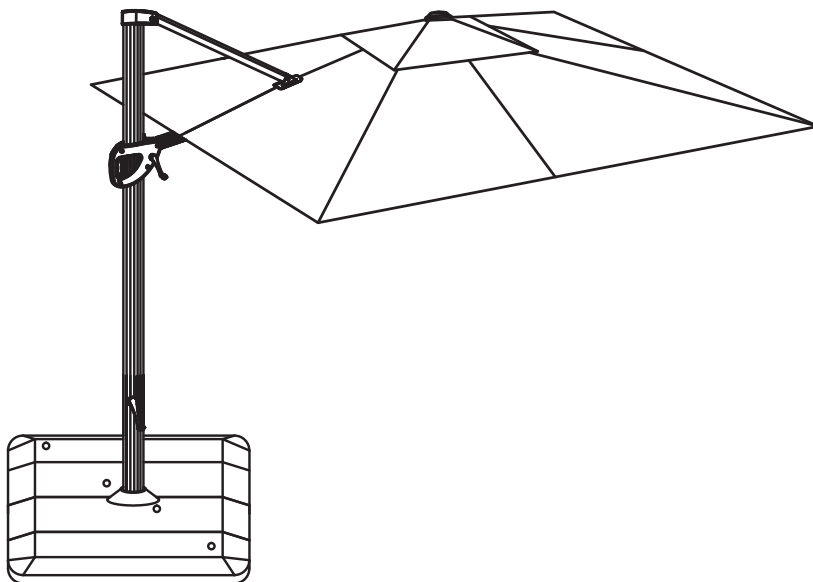


10x13ft Rectangle Offset Umbrella with Resin Base

Assembly & Care Instructions

SKU #: 272-1746
Model #: UMB-952370

**IMPORTANT : RETAIN FOR FUTURE REFERENCE
READ CAREFULLY**



The schematics in this manual are for assembly and operation illustration only.
They may differ from the actual appearance.

For assistance with assembly, parts, or customer service, please contact:

ATLeisure, LLC

Toll Free: 1-855-880-7205 (English is offered)

8am - 5pm, Monday through Friday, Eastern Standard Time

Email: customerservice@atleisure.com or visit our website at www.atleisure.com

DO NOT RETURN TO STORE

Contents

Preparation 2
Hardware Contents 3
Package Contents 3
Umbrella Assembly 4-5
Umbrella Operation 5-6
Warranty 7
Care and Maintenance. 7
Warnings and Cautions 7
Replacement Parts 8

Preparation

CAUTION: Do not use sharp tools to remove the protective material, as it may damage the product. Be careful not to throw away small parts such as bolts, washers, etc., that may be wrapped in the protective materials.

Before assembling make sure all parts are present. Compare parts with package contents list and hardware contents list. If any part is missing or damaged, do not attempt to assemble the product. Contact our customer service representative for assembly assistance or questions toll free at 1-855-880-7205.

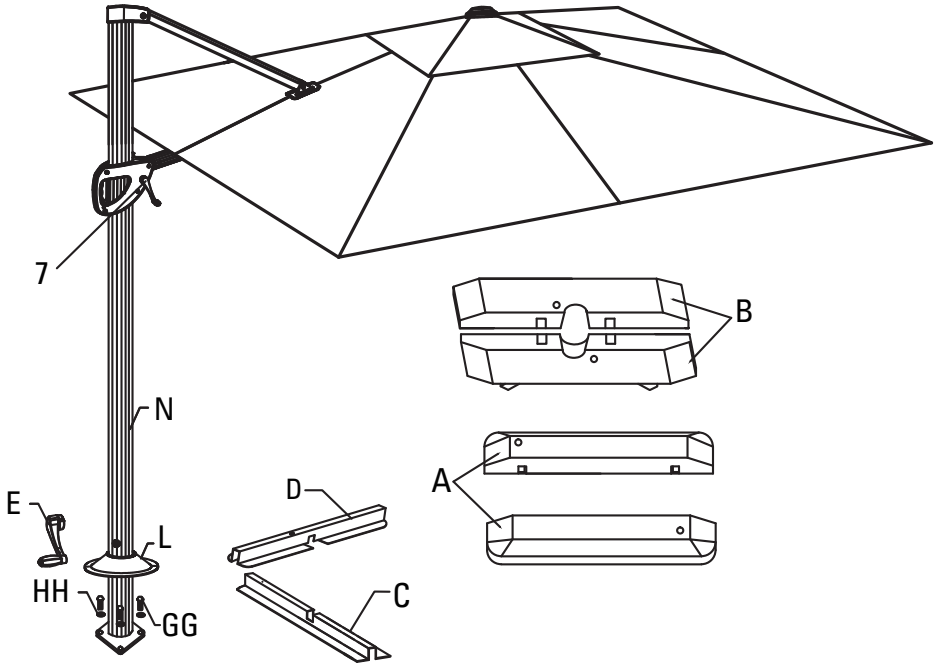
Tools required for Assembly: Open end wrench or adjustable wrench (not included)
Phillips-head screw driver (not included)

Hardware Contents



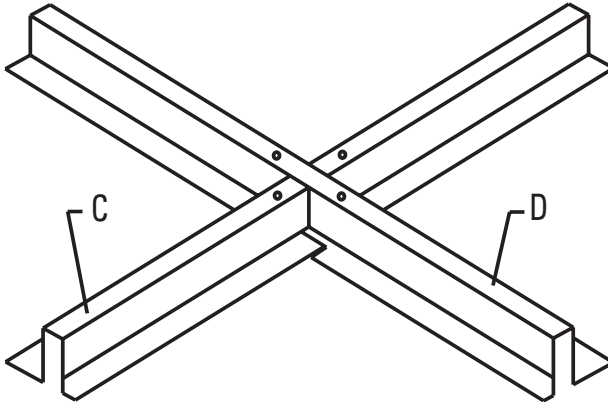
Part	Description	Quantity
GG	Hex Bolt (M10-1.5x20 A2-70)	4
HH	Flat Washer (A2-70)	4

Package Contents

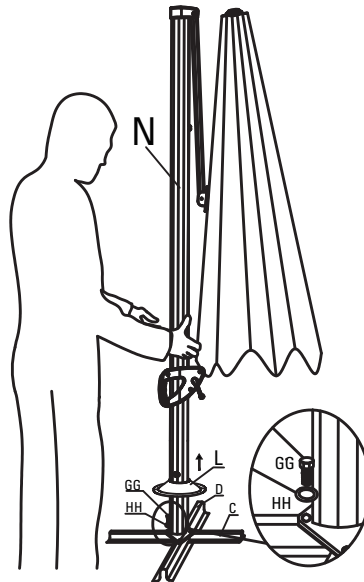


Part	Description	Quantity
A	Blow Molded Base Outside (with cap)	2
B	Blow Molded Base Inside (wait cap)	2
C	Lower Cross Leg	1
D	Upper Cross Leg	1
N	Umbrella Frame (with canopy)	1
CAN	Canopy (on the umbrella frame)	1

Assembly

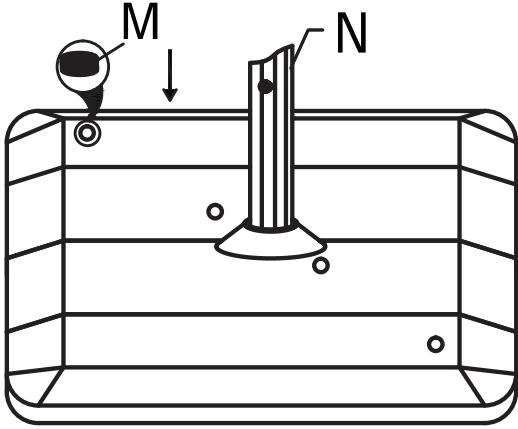


Step 1: Place Lower Cross Leg (C) on the ground, line up notches and place Upper Cross Leg (D) over the Lower Cross Leg (C).



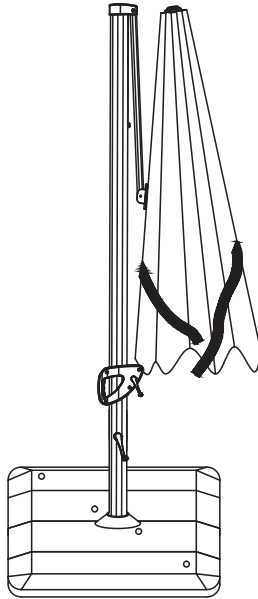
Step 2: One person should hold the umbrella frame with canopy (N) and place it onto the cross leg base. Then the other person lifts the Pole Support Cup (L) up and attach the umbrella frame with canopy (N) to the cross leg base by using Bolts (GG) and Washers (HH). Adjust the umbrella frame with canopy (N) to be sure it is positioned correctly on the base. Finally tighten all the bolts and be careful not to over tighten.

Assembly (continued)

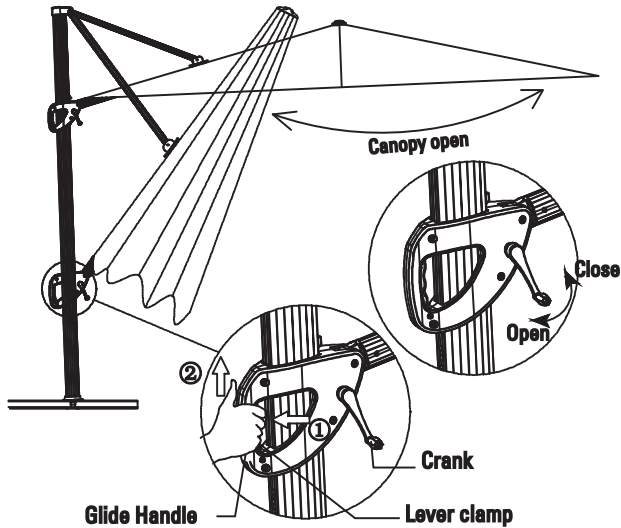


Step 3: Place the Blow Molded pieces (A and B) over the cross legs. Fill up each Blow Molded Base (A and B) with sand and water, then cover with caps.

Umbrella Operation



Step 1: Unfasten the storage straps around the canopy.

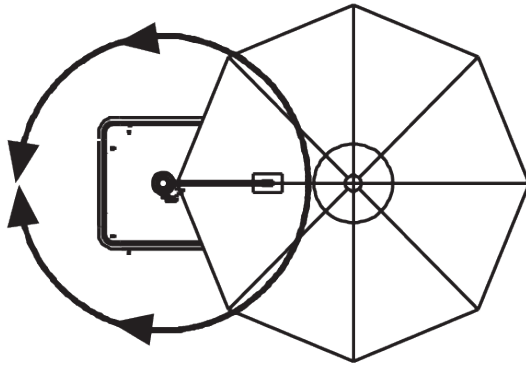


Step 2: To open the umbrella, squeeze the Glide Handle and grip together and slide up or down the pole to achieve the desired tilting angle. Release the grip to lock into place. To open the canopy, turn the crank handle clockwise until the canopy is fully open as pictured.

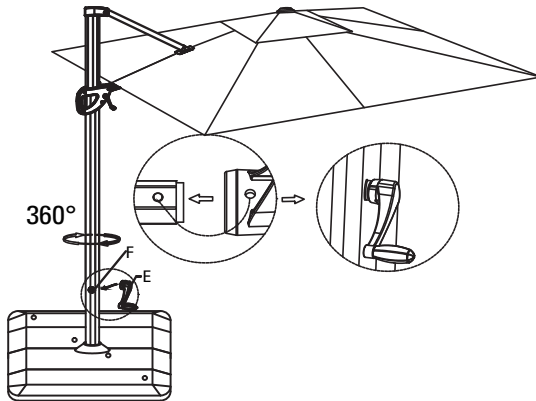
Umbrella Operation (continued)

Canopy position
adjusting

Rotates
360°



Step 3: The multiple position canopy can rotate 360° around the axis of the main pole to offer the shade on your expected area around the umbrella.



Step 4: To rotate umbrella insert the crank handle (E) into holder pole (F) and turn to desired position.

Canopy Care

- Simply clean the umbrella canopy with soft brush and mild detergent.
- DO NOT machine wash or dry.
- DO NOT iron.
- AIR DRY the canopy thoroughly before storing for extended period of time. Make sure the canopy is completely open during the drying process to prevent shrinkage.

Warnings and Cautions

1. Read the entire instructions before beginning and follow the steps outlined. Failure to assemble and install as instructed could result in the umbrella tipping over causing personal injury and/or property damage.
2. This umbrella is designed for easy operation, sunshade and decoration purpose only. It is NOT recommended that this umbrella be used during periods of high wind and rain. Always take the umbrella down during high or gusting wind and rain, when not in use and in the off-season. Failure to do so may result in personal injury and/or property damage.
3. Please keep children away from the umbrella during assembly to avoid injury.

NOTE: Placement of the umbrella over or near a swimming pool will cause premature fading not covered under our warranty, especially darker colors. Please contact customer service to purchase a replacement canopy.

NOTE: To Prevent damage to the canopy DO NOT leave the umbrella open directly facing the wind. Always take down the umbrella when not in use and during high or gusting wind and rain.

Warranty

90 DAY WARRANTY

This product is covered under a manufacturer's 90 day warranty from date of purchase against defects in materials and workmanship. This warranty does not cover damage due to neglect, abuse or weather related damage. For full warranty disclosure, email us at customerservice@atleisure.com, call toll free at 1-855-880-7205 or send mail to: 1040 Boulevard SE Ste. B, Atlanta GA 30312.

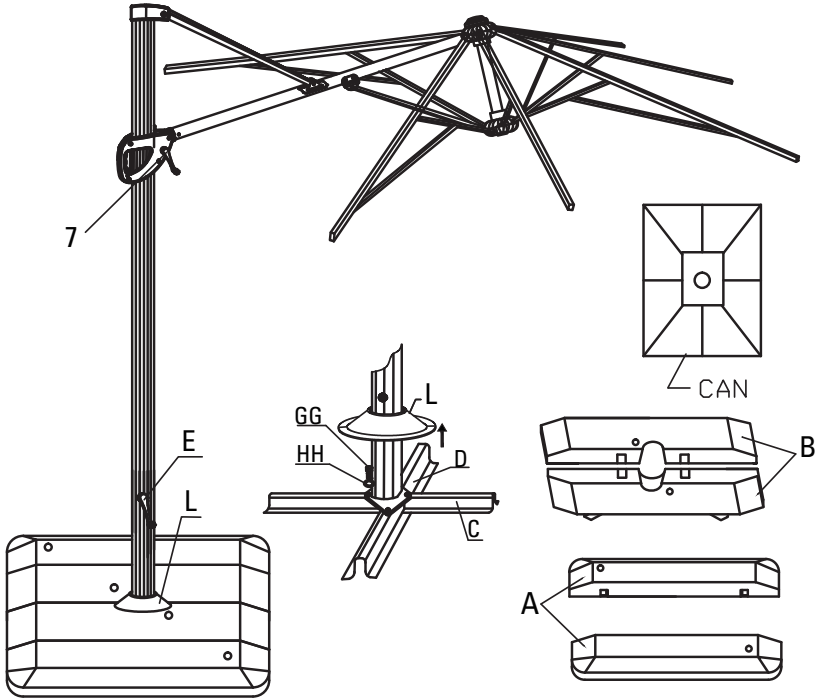
HOWTO FILE A CLAIM

If you are within your warranty you must have your receipt and pictures of your information to send to ATLeisure at customerservice@atleisure.com, or send by mail to 1040 Boulevard SE Ste. B, Atlanta GA 30312.

This warranty gives you specific legal rights, and you may also have other rights which vary from state to state.

Replacement Parts

For replacement parts, call our customer service department at 1-855-880-7205, 8:00am-5:00pm., EST, Monday-Friday.



Part	Description	Quantity	Re-Order Number
A	Blow Molded Base Outside	2	BSE-ABMP-BWN
B	Blow Molded Base Inside	2	BSE-BBMP-BWN
C	Lower Cross Leg	1	CSL-C78RX-BWN
D	Upper Cross Leg	1	CSL-D78RX-BWN
E	360° Holder Pole Crank	1	CRK-E78RHP-BWN
GG	Bolts	4	HDW-GG
HH	Washers	4	HDW-HH
CAN	Canopy	1	CAN-10X1308BWP-?
7	Crank	1	CRK-778RG-BWN
L	Pole Support Cup	1	PSC-L78RG-BWN
M	Cap for Blow Molded Base	4	BSE-CAP-11-BWN

BACKYARD
Creations®

ATLeisure, LLC
1040 Boulevard SE, Suite B
Atlanta, Georgia 30312, USA

Customer Service Toll Free 1-855-880-7205

8am - 5pm Eastern Time, Monday through Friday

www.atleisure.com

2017 Distributed by Menard, Inc., Eau Claire, WI 54703

Made in China