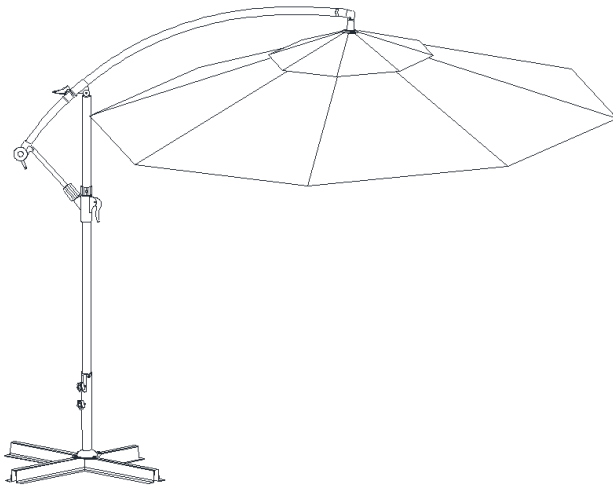




10' Offset Umbrella Assembly & Care Instructions

SKU #: 272-0950
Model #: UMB-952210

**IMPORTANT : RETAIN FOR FUTURE REFERENCE
READ CAREFULLY**



The schematics in this manual are for assembly and operation illustration only.
They may differ from the actual appearance.

For assistance with assembly, parts, or customer service, please contact:

ATLeisure, LLC

Toll Free: 1-855-880-7205 (English is offered)

8am - 5pm, Monday through Friday, Eastern Standard Time

Email: customerservice@atleisure.com or visit our website at www.atleisure.com

DO NOT RETURN TO STORE

2017 Distributed by Menard, Inc., Eau Claire, WI 54703
Made in China

Contents

Canopy Care	2
Warnings and Cautions	2
Preparation	3
Package Contents	3
Umbrella Assembly	4-5
Umbrella Operation	6-8
Warranty	9
Replacement Parts	9

Canopy Care

- Simply clean the umbrella canopy with soft brush and mild detergent.
- DO NOT machine wash or dry.
- DO NOT iron.
- Air dry the canopy thoroughly before storing for extended period of time. Make sure the canopy is completely open during the drying process to prevent shrinkage.

Warnings and Cautions

1. Read the entire instructions before beginning and follow the steps outlined. Failure to assemble and install as instructed could result in the umbrella tipping over causing personal injury and/or property damage.
2. This umbrella is designed for easy operation, sunshade and decoration purpose only. It is NOT recommended that this umbrella be used during periods of high wind and rain. Always take the umbrella down during high or gusting wind and rain, when not in use and in the off-season. Failure to do so may result in personal injury and/or property damage.
3. Please keep children away from the umbrella during assembly to avoid injury.

NOTE: Placement of the umbrella over or near a swimming pool will cause premature fading not covered under our warranty, especially darker colors. Please contact customer service to purchase a replacement canopy.

NOTE: To Prevent damage to the canopy DO NOT leave the umbrella open directly facing the wind. Always take down the umbrella when not in use and during high or gusting wind and rain.

Preparation

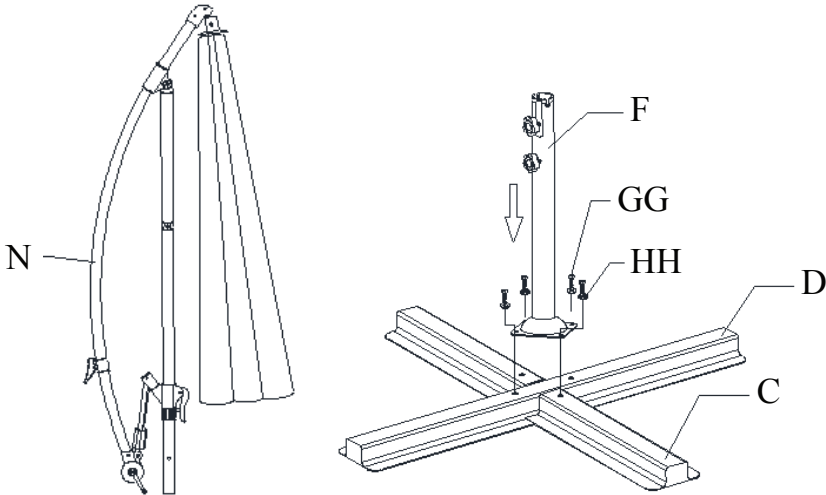
Remove all protective materials. Be careful not to throw away small parts such as bolts, washers, etc., that may be wrapped in the protective materials.

Before assembling make sure all parts are present. Compare parts with package contents list. If any part is missing or damaged, do not attempt to assemble the product. Contact our customer service representative for assembly assistance or questions toll free at 1-855-880-7205.

Estimated Assembly Time: 20 minutes

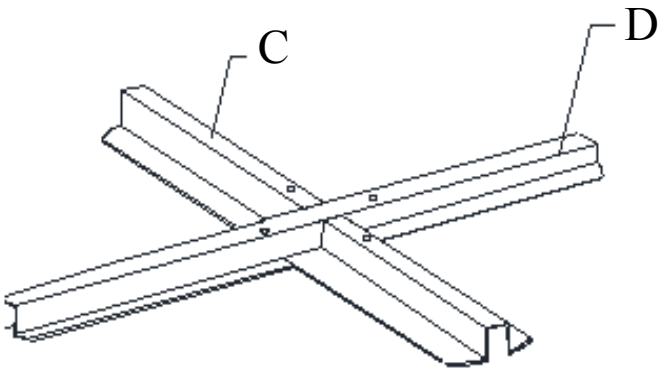
Tools required for Assembly: Open end wrench or adjustable wrench (not included)

Package Contents

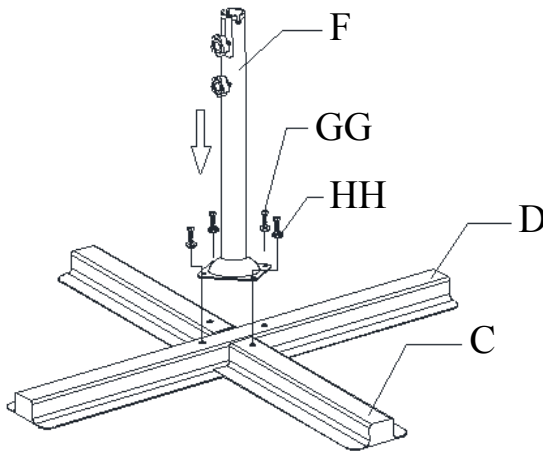


Part	Description	Quantity
C	Lower Cross Leg	1
D	Upper Cross Leg	1
F	Holder Pole	1
N	Canopy (on the umbrella frame)	1
GG	Hex Bolt (M8x20)	4
HH	Flat Washer (M8)	4

Assembly

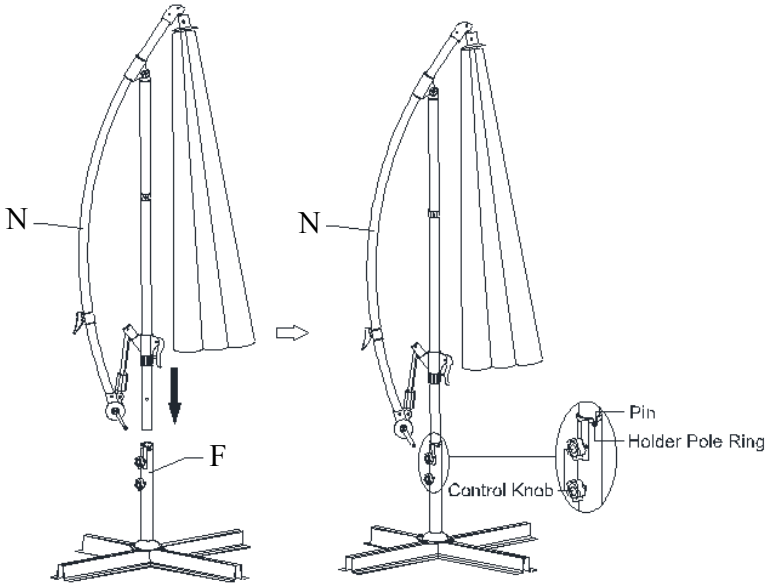


Step 1: Place the upper cross leg (D) on top of the lower cross leg (C).



Step 2: Attach the holder pole (F) to the cross legs using the bolts (GG) and washers (HH) as shown above. Hand tighten only. Adjust the holder pole (F) to be sure that it is positioned correctly on the base and tighten the bolts. Be Careful to not over tighten the bolts.

Assembly (continued)



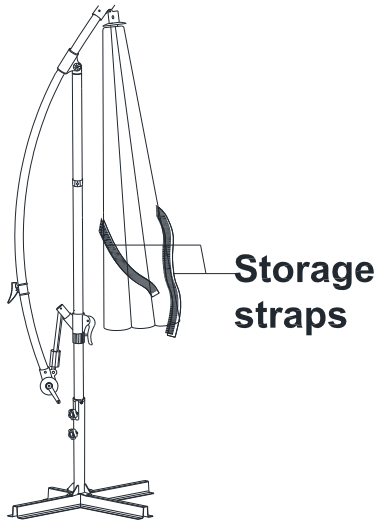
Step 3: Insert the main pole of the Umbrella Frame with Canopy (N) into the Holder Pole (F) until the lower fixed stop pin sits on the Holder Pole ring. Tighten the two control knobs to secure the main pole.

Use the appropriate anchors to permanently attach the base to your wooden deck or concrete patio or use patio stones or an offset umbrella base (sold separately) to weigh down the umbrella base.

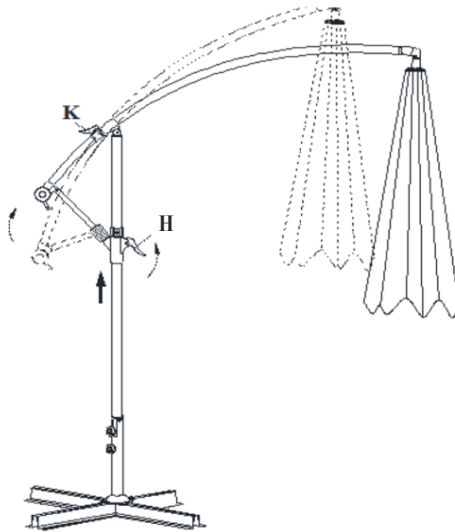


WARNING: Be sure to secure and/or weight the cross leg base of the umbrella with at least 200 lbs. of weight to prevent the umbrella from tipping over with either an umbrella base or four 12x12 patio pavers (sold separately)

Umbrella Operation

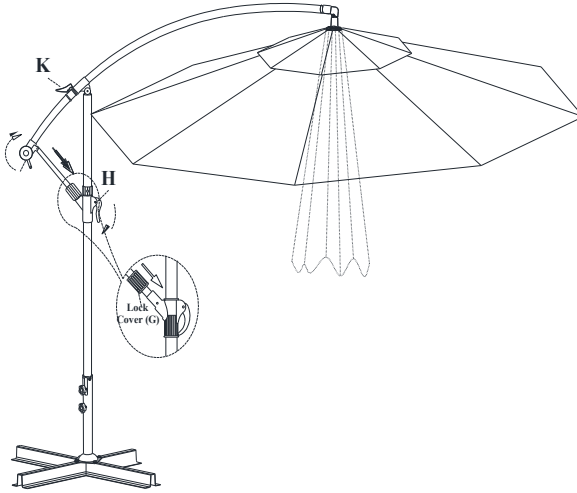


Step 1: Unfasten the storage straps around the canopy.

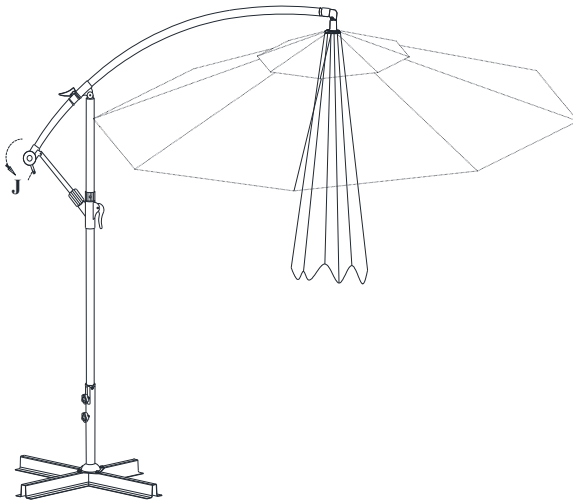


Step 2: Unlock the extension arm clamp (K) and the vertical lift mechanism clamp (H). Extend the umbrella extension arm outwards while lifting the vertical lift mechanism upwards. This will fully extend the umbrella.

Umbrella Operation (continued)

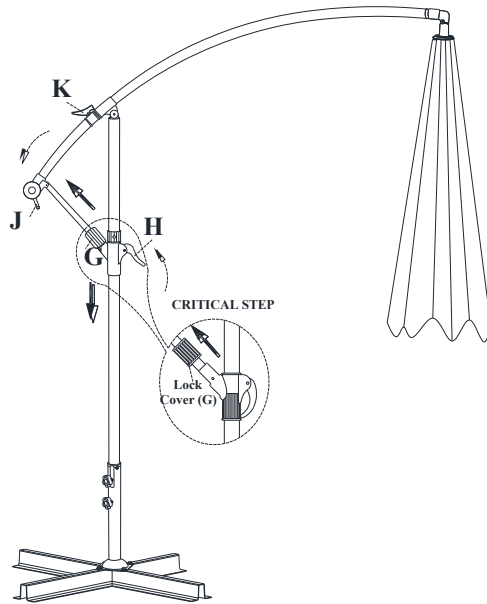


Step 3: When the umbrella arm is full extended, lock the two clamps (K and H). Slide the lock cover (G) into the locking mechanism on the back side of the vertical lift mechanism.



Step 4: To open, turn the crank handle (J) clockwise to open the umbrella completely. To close, turn the crank (J) counter-clockwise.

Umbrella Operation (continued)



Step 5: Slide back the lock cover (G) away from the vertical lift mechanism before lowering the umbrella.

WARNING: Failure to slide back the lock cover (G) away from the vertical lift mechanism before lowering the umbrella arm will cause non-repairable damage to the locking parts (K and H).

Next, unlock the extension arm clamp (K) and the vertical lift mechanism clamp (H). Retract the umbrella extension arm inwards while pushing the vertical lift mechanism downwards. This will fully take down the umbrella.

Warranty

90 DAY WARRANTY

This product is covered under a manufacturer’s 90 day warranty from date of purchase against defects in materials and workmanship. This warranty does not cover damage due to neglect, abuse or weather related damage. For full warranty disclosure, email us at customerservice@atleisure.com, call toll free at 1-855-880-7205 or send mail to: 1040 Boulevard SE Ste. B, Atlanta GA 30312.

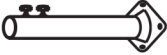
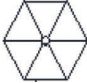


HOWTO FILE A CLAIM

If you are within your warranty you must have your receipt and pictures of your information to send to ATLeisure at customerservice@atleisure.com, or send by mail to 1040 Boulevard SE Ste. B, Atlanta GA 30312.

This warranty gives you specific legal rights, and you may also have other rights which vary from state to state.

Replacement Parts

For replacement parts, call our customer service department at 1-855-880-7205, 8:00am-5:00pm., EST, Monday-Friday.

Description	Picture	Re-order Number
Holder Pole (with control knobs)		HDP-F48X-BWN-T
Canopy		CAN-10B6RBP-T
Upper Cross Leg		CSL-D48X-BWN-T
Lower Cross Leg		CSL-C48X-BWN-T

BACKYARD
Creations®

ATLeisure, LLC
1040 Boulevard SE, Suite B
Atlanta, Georgia 30312, USA

Customer Service Toll Free 1-855-880-7205

8am - 5pm Eastern Time, Monday through Friday

www.atleisure.com

2017 Distributed by Menard, Inc., Eau Claire, WI 54703

Made in China