



9' Starlight Solar Umbrella with Removable Cover Assembly & Care Instructions

Item: UMB-952160
M41456



**IMPORTANT : RETAIN FOR FUTURE REFERENCE
READ CAREFULLY**

For assistance with assembly, parts, or customer service, please contact:

ATLeisure, LLC

Toll Free: 1-855-880-7205 (English is offered)

8am - 5pm, Monday through Friday, Eastern Standard Time

Email: customerservice@atleisure.com or visit our website at www.atleisure.com

DO NOT RETURN TO STORE

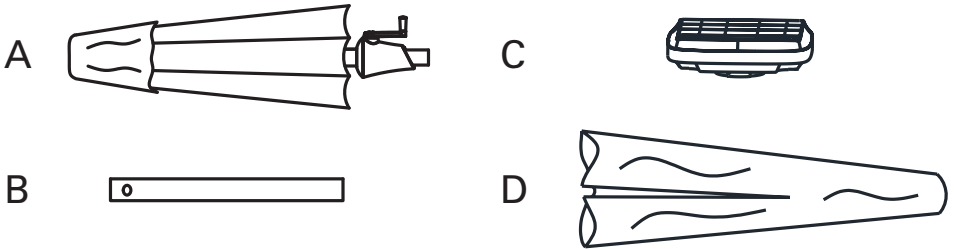
For indoor/outdoor domestic use only. Not for commercial use.

Designed in USA
Made in China

Contents

Package Contents	2
Preparation	2
Set-Up and Operation	3-4
Replace Batteries.	5
Warranty	6
Care and Maintenance.	6
Replacement Parts	6
Warnings and Cautions	7
Battery Disposal Instructions.	7

Package Contents



Part	Description	Quantity
A	Umbrella Frame with Canopy	1
B	Bottom Pole	1
C	Solar Panel	1
D	Removable Cover	1

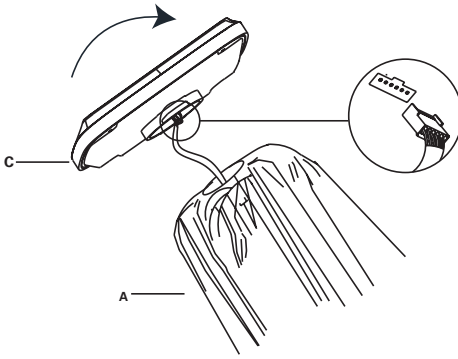
Preparation

CAUTION: Do not use sharp tools to remove the protective material, as it may damage the product.

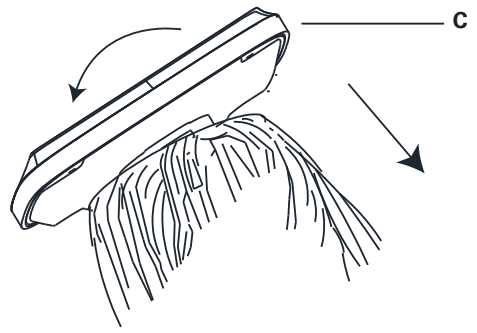
Before assembling make sure all parts are present. Compare parts with package contents list. If any part is missing or damaged, do not attempt to assemble the product. Contact our customer service representative for assembly assistance or questions toll free at 1-855-880-7205.

Estimated Assembly Time: 10 minutes
Tools required for Assembly: No tools required

Set-Up and Operation

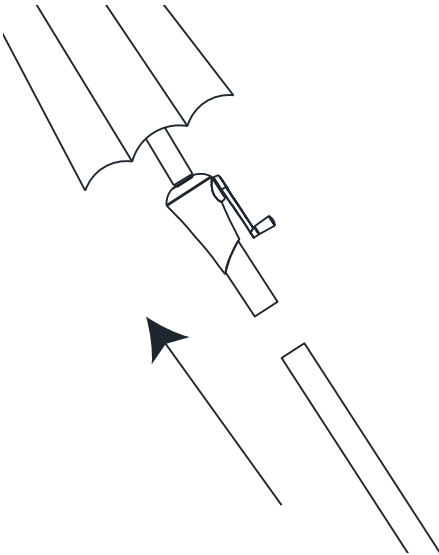


Step 1: Insert the plug from the Umbrella Frame with Canopy (A) into the socket under the Solar Panel (C).

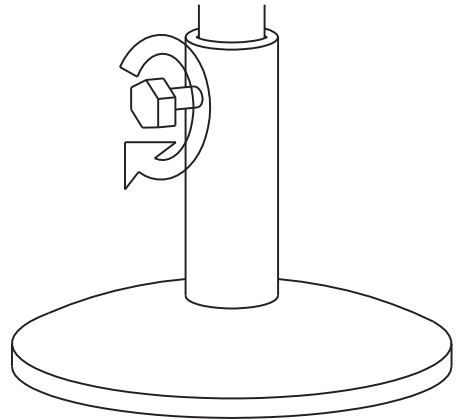


Step 2: Put the Solar Panel (C) on the top of umbrella (A) and hide the wire inside the groove at the top of umbrella. Then turn the solar panel counterclockwise, do not to over tighten.

Remove the plastic film on the solar panel for it to function properly.

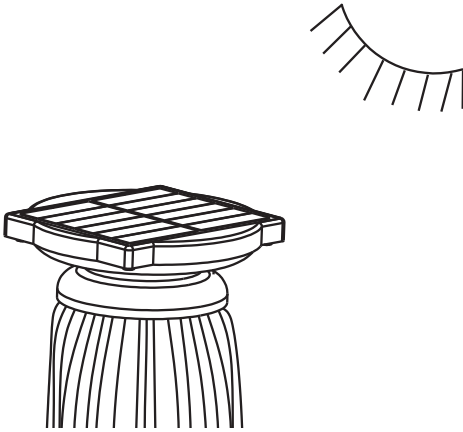


Step 3: Insert the bottom pole into the upper pole while pressing the snap button on the upper pole until the snap bottom locks into position.



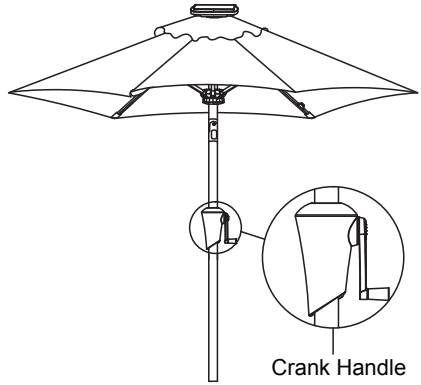
Step 4: We recommend that you stand and secure the umbrella to an umbrella base (not included).

Set-Up and Operation



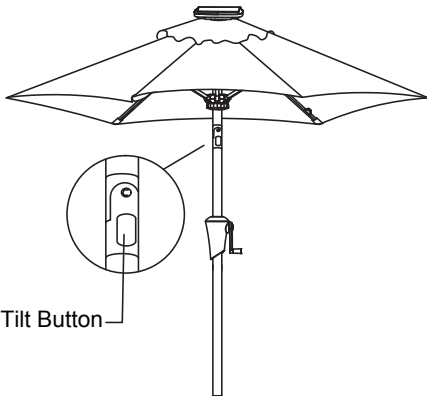
Step 5: Put the solar umbrella in the sunlight to charge the batteries before the first use.

Make sure to charge the batteries for at least 8 hours before the first use, otherwise it will shorten lifespan of the batteries and decrease performance.

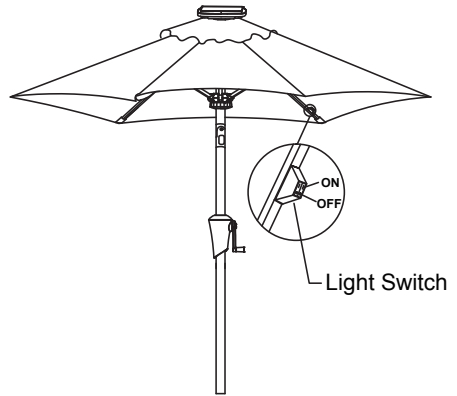


Step 6: Turn the crank handle in the clockwise direction to open the umbrella canopy. Turn the crank in the opposite direction to close the canopy.

The umbrella must be upright position in order to close.

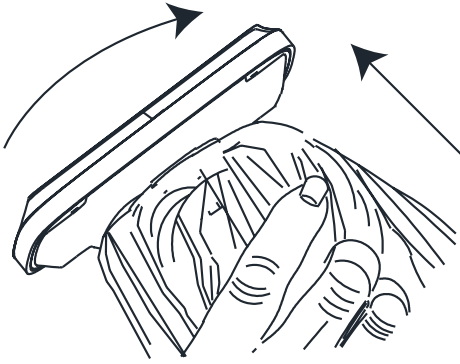


Step 7: To tilt the umbrella, press the Tilt Button to release the umbrella top. Release the button to maintain the desired angle.

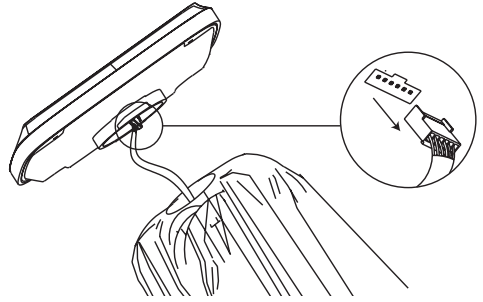


Step 8: To turn the solar lights on/off, press the on/off switches. One switch is to control the long rib lights, the other switch controls the shorter rib lights and Hub lights.

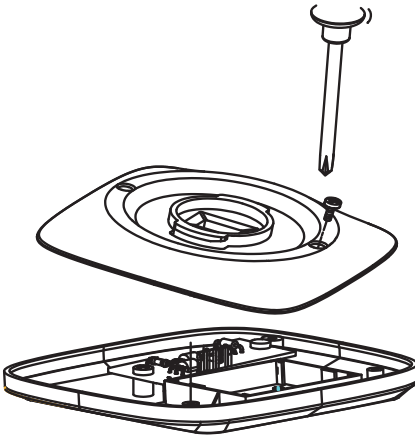
Replace Batteries



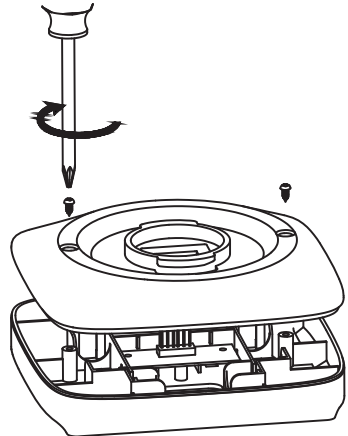
Step 1: Twist clockwise and remove the solar panel from the top of the umbrella.



Step 2: Pull the plug out of the socket under the solar panel. Pull by holding the plug, not by pulling on the wires.



Step 3: Put the solar panel upside down on a flat, soft surface and loosen all the screws. Carefully open the bottom case and set aside. Replace the batteries, matching the +/- on the batteries with the +/- on the battery case.



Step 4: Carefully put the bottom case back. Align the screw holes and replace the screws. Do not over tighten the screws.

We recommend that you change the battery in your solar light umbrella every year or when you feel the light output is diminished. For best results buy (1) 18650 Lithium 2200mAh rechargeable battery same as supplied with panel. Install only new batteries.



WARNING: Failure to insert battery in the correct polarity, as indicated in the battery compartment, may shorten the life of the battery or cause the battery to leak. Do not dispose of battery in a fire. Battery should be recycled or disposed of as per state and local guidelines. Do not mix old and new batteries. Do not mix Alkaline, Standard (Carbon-Zinc) or Rechargeable (Nickel Cadmium) or (Nickel Metal Hydride) batteries.

Warranty

1 YEAR WARRANTY

This product is covered under a manufacturer's 1 year warranty from date of purchase against defects in materials and workmanship. This warranty does not cover damage due to neglect, abuse or weather related damage. For full warranty disclosure, email us at customerservice@atleisure.com, call toll free at 1-855-880-7205 or send mail to: 1040 Boulevard SE Ste. B, Atlanta GA 30312.

This warranty gives you specific legal rights and you may also have other rights that vary from state to state.

HOW TO FILE A CLAIM

If you are within your warranty, you must have your receipt and pictures of your information to send to ATLeisure at customerservice@atleisure.com, or send by mail to 1040 Boulevard SE Ste. B, Atlanta GA 30312.

Care and Maintenance

- Simply clean the umbrella canopy with soft brush and mild detergent.
- Do not machine wash or dry.
- Do not iron.
- AIR DRY the canopy thoroughly before storing for extended period of time.

Replacement Parts

For replacement parts, call our customer service department at 1-855-880-7205, 8:00am-5:00pm., EST, Monday-Friday.



Part	Description	Re-Order Number
C	Solar Panel	SOLP-TLT
B	Bottom Pole (38mm)	BMP-38SSN-BRZ-T-SL
E	Canopy	CAN-9MSL8RBP-T-BL,GR,RD,TN,TO,MCS
D	Cover	CVR-9MSL8RBP-T-BL,GR,RD,TN,TO,MCS

This Atleisure product is covered by U.S. Patent No. 7,533,679 and Patent No. 7,604,015. Patent Pending.

Warnings and Cautions



WARNING: Keep children away from umbrella during assembly to avoid injury.



WARNING: To prevent damage to the canopy, open the umbrella facing the opposite direction that the wind is blowing.



WARNING: Do not use the umbrella during periods of high winds and rain as this may result in personal injury and/or damage.



WARNING: Always take the umbrella down when not in use.



CAUTION: If the crank becomes too hard to crank, check to see if the rope has come off the pulley. If you continue to turn the crank, the rope or crank handle could break.



CAUTION: Placement of the umbrella over or near a swimming pool can cause premature fading of the canopy. This is not covered under our warranty.



CAUTION: We recommend that you insert the umbrella into an umbrella base (not included) for securing the umbrella.

Battery Disposal Instructions

- For best results, use 18650 Lithium (2200mAh) rechargeable battery same as supplied with panel.
- Install only new batteries of the same type in your product.
- Failure to insert batteries in the correct polarity, as indicated in the battery compartment, may shorten the life of the batteries or cause batteries to leak.
- Do not mix old and new batteries.
- Do not mix Alkaline, Standard (Carbon-Zinc) or Rechargeable (Nickel Cadmium) or (Nickel Metal Hydride) batteries.
- Batteries should be recycled or disposed of as per state and local guidelines.



ATLeisure, LLC
1040 Boulevard SE, Suite B
Atlanta, Georgia 30312, USA

Customer Service Toll Free 1-855-880-7205

8am - 5pm Eastern Time, Monday through Friday

www.atleisure.com