



8ft ED Pagoda Umbrella
with Cover
Assembly and User Manual





MODEL # UMB-950100
M49560



The schematics in this manual are for assembly and operation illustration only. They may differ from the umbrella's actual appearance.

For additional product information, please contact our Customer Service Center at 1-855-880-7205 between 8am-5pm Eastern Time, Monday through Friday.

Package Contents |

PART	DESCRIPTION	PICTURE	QTY(PC)
A	Umbrella Frame with Canopy		1
B	Bottom Pole		1
C	Finial		1
D	Removable Cover		1

No hardware required for assembly.

Warnings & Cautions

- Always take the umbrella down when not in use.
- Keep children away from umbrella during assembly to avoid injury.
- To prevent damage to the canopy, open the umbrella facing the opposite direction that the wind is blowing.

Note: We recommend that you insert the umbrella into an umbrella base or table (not included) for securing the umbrella.

Note *If the crank becomes too hard to crank, check to see if the rope has come off the pulley. If you continue to turn the crank, the rope or crank handle could break.*



IMPORTANT: Do not use this umbrella during periods of high winds and rain. Failure to do so may result in personal injury and/or damage.

Preparation

Before beginning assembly of product, make sure all parts are present. Compare parts with package contents list and diagram above. If any part is missing or damaged, do not attempt to assemble the product or return to the place of purchase. Contact our customer service toll free at 1-855-880-7205 for replacement parts or further instructions.

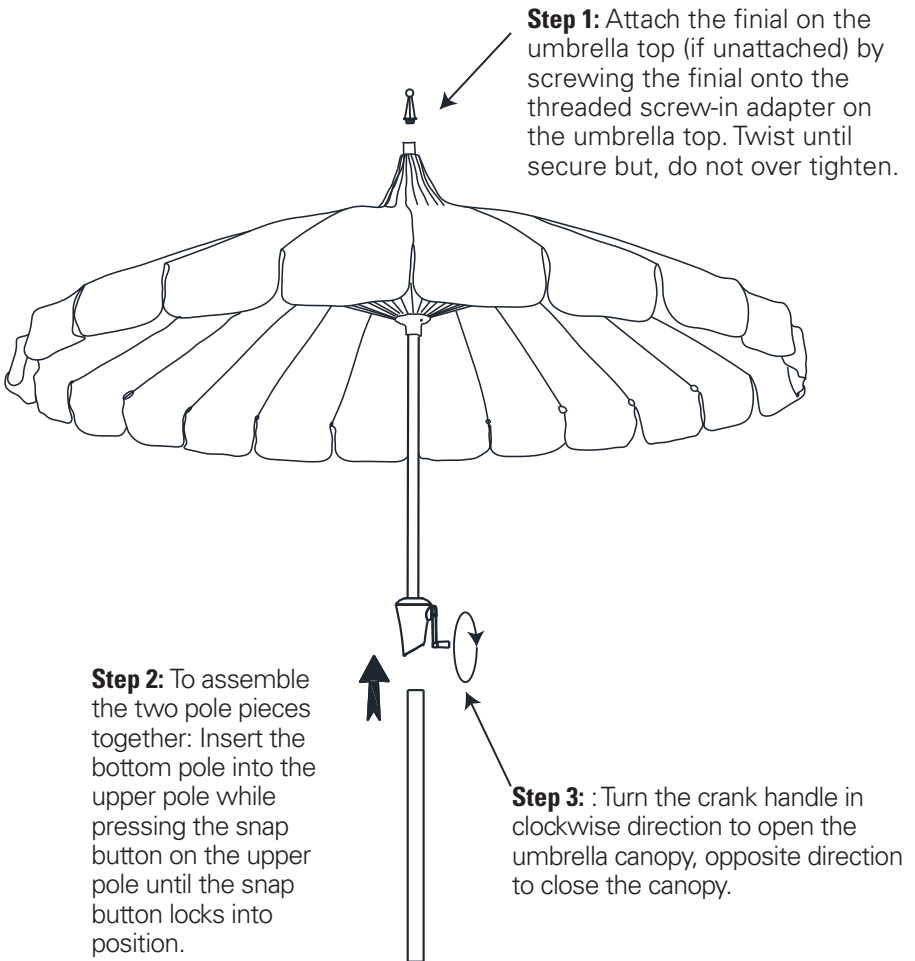
Estimated Assembly Time: 10 minutes

Tools required for Assembly: No tools required

| Set-Up & Operation

Take all parts out of the box. If any parts are missing. Call our Customer Care Service toll free at 1-855-880-7205.

Note: We recommend that you insert the umbrella into an umbrella base or table (not included) for securing the umbrella.



Care & Maintenance |

CANOPY CARE INSTRUCTIONS:

Simply clean the umbrella canopy with soft brush and mild detergent.

- DO NOT machine wash or dry.
- DO NOT iron.
- AIR DRY the canopy thoroughly before storing for extended period of time.
- Make sure the canopy is completely open during drying process to prevent shrinkage.

Note: *Placement of the umbrella over or near a swimming pool can cause premature fading of the canopy. This is not covered under our warranty.*

90 DAY WARRANTY

This product is covered under a manufacturer’s 90-day warranty from date of purchase against defects in materials and workmanship. This warranty does not cover damage due to neglect, abuse or weather related damage. For full warranty disclosure, email us at customerservice@atleisure.com, call toll free at 1-855-880-7205 or send mail to 1040 Boulevard SE Ste. B, Atlanta GA 30312.





This warranty gives you specific legal rights, and you may also have other rights which vary from state to state.

Filing a Claim

If you are within your warranty, to file a claim you must have your receipt and pictures of your damaged umbrella and send to ATLeisure at customerservice@atleisure.com, or by mail to 1040 Boulevard SE Ste. B, Atlanta GA 30312.

Replacement Parts

For replacement parts, call our customer service department at 1-855-880-7205, 8:00am-5:00pm., EST, Monday-Friday.

DESCRIPTION	PICTURE	RE-ORDER NO.
Finial		FNL-38S-WHT-T
Bottom Pole (Snap in 38mm)		BMP-38SSN-WHT-T
Canopy		CAN-8P24RBP-T-RU,GR,BL
Removeable Cover		CVR-8P24RBP-T-RU,GR,BL

atleisure®
create your escape

www.atleisure.com
ATLeisure LLC
1040 Boulevard SE, Suite B
Atlanta, Georgia 30312
Customer Service Toll Free 1-855-880-7205
8am- 5pm Eastern Time, Monday through Friday.