



9ft Airflow™
Market Umbrella
Assembly, Care and Use Manual

ITEM # UMB-889201T
UMB-889201B
UMB-889201N



IMPORTANT, RETAIN FOR FUTURE REFERENCE: READ CAREFULLY

For assistance with assembly or installation, parts or problem resolution, please do not return to place of purchase, call customer service at:

ATLeisure LLC
1-855-880-7205 (English Only)
8:00am-5:00pm, Monday to Friday, Eastern Standard Time
www.atleisure.com • Email: customerservice@atleisure.com

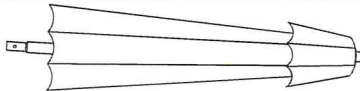


Preparation

Before beginning product assembly, make sure all contents are present. Compare parts with package contents list and diagram. If any part is missing or damaged, do not attempt to assemble the product or return to the place of purchase. Contact our customer service toll free at **1-855-880-7205** for replacement parts or further instructions.

Estimated Assembly Time: 10 minutes

No tools required for assembly.

Package Contents

PART	DESCRIPTION	PICTURE	QTY(PC)
A	Umbrella Frame with Canopy		1
B	Bottom Pole		1
C	Finial		1

Care and Maintenance

See the enclosed Sunbrella® care and cleaning insert for canopy maintenance.

Warnings and Cautions



DANGER: Keep children out of the assembly area during assembly.



WARNING: Read the entire instructions before beginning and follow the steps outlined. Failure to assemble and install as instructed could result in the umbrella tipping over causing personal injury and/or property damage.



WARNING: Do not use this umbrella during periods of high winds and rain. Failure to do so may result in personal injury and/or damage.



CAUTION: Assemble and use umbrella on flat ground.



INFORMATION: Recommend inserting the umbrella into an umbrella base (not included) to secure umbrella in an upright position.






INFORMATION: Close the umbrella and use the canopy ties when umbrella is not in use.



INFORMATION: Schematics in this manual are for assembly and operation illustration only. They may differ from the umbrella's actual appearance.

Replacement Parts

For replacement parts, call our customer service department at **1-855-880-7205**, 8:00am-5:00pm., EST, Monday-Friday.

DESCRIPTION	PICTURE	RE-ORDER NO.
Finial		FNL-38PC-BRZ-T
Bottom Pole (Snap in 38mm)		BMP-38ASN-BRZ-T
Canopy		CAN-9MAF8RBS-T- BE,RD,NB

U.S. Patent Pending

Made in China