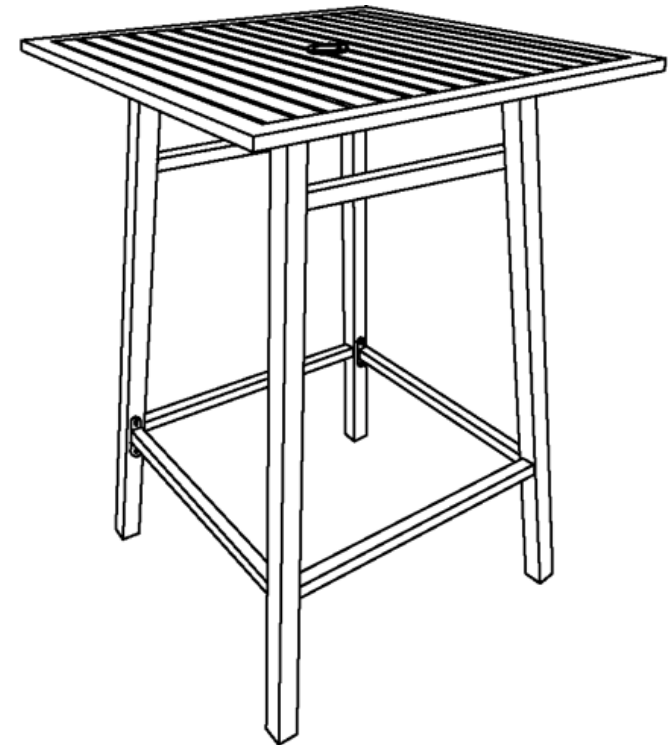




Sarah Bar Height Table Assembly and User Manual

ITEM: FRN-600250T
M43104






The schematics in this manual are for assembly and operation illustration only. They may differ from the table's actual appearance.



www.atleisure.com
ATLANTA, GEORGIA
Customer Service Toll Free 1-855-880-7205
Monday through Friday from 8:00am-5:00pm
(Eastern Time)

For additional product information, please contact our
Customer Service Center toll free at 1-855-880-7205
between 8am and 5pm Eastern Time, Monday through Friday.

PICTURE	DESCRIPTION	QTY(PC)
E. 	Table Top	1
F. 	Leg of Table	2
G. 	Support Bar	2

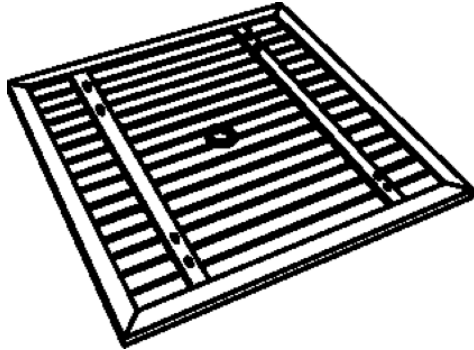
If you are within your warranty, to file a claim you **must** have your receipt and pictures of the damaged part of your product. Email information to us at **customerservice@atleisure.com** or contact us through the website: **www.atleisure.com**

| Caring For Your New Furniture

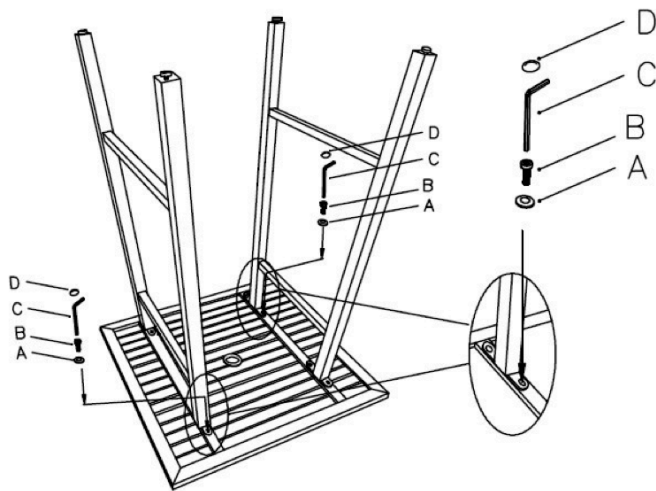
- Clean with a cloth, mild soap and water.
- Store your furniture out of direct sunlight when not in use.

4. Instructions Of Set-Up & Operation |

Step 1. Turn over the Table Top (E) and place the Top on a clean & soft level surface.

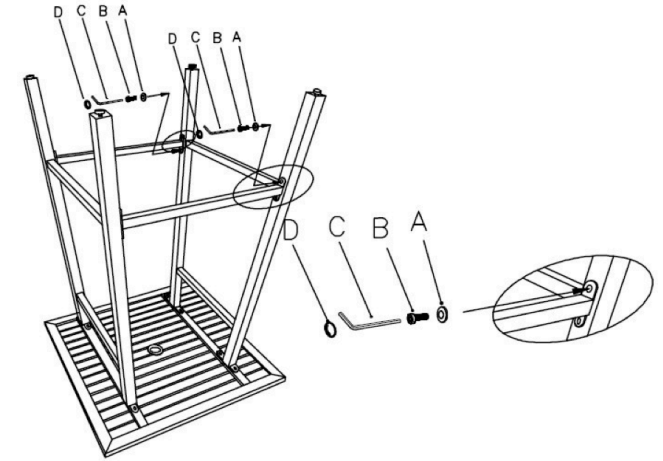


Step 2. Attach the Leg of Table (F) to the Table Top (E). Do not tighten the bolts too much.

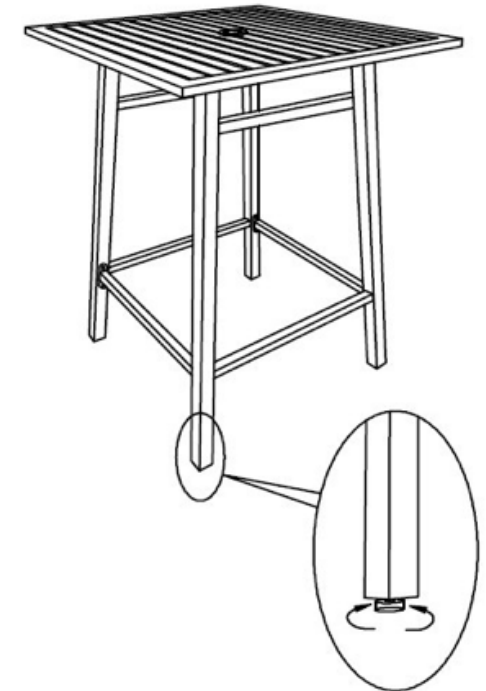


| Instructions Of Set-Up & Operation (cont'd) 5.

Step 3. Attach the Support Bar (G) to Leg of Table (F). Then tighten up all the bolts.



Step 4. Turn the table back over. Adjust the self-leveling underneath the leg to ensure the table is stable if necessary.





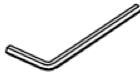

One year limited frame warranty

Frame is warranted to be free of manufacturing defects for 1 year from purchase date. If the frame of your furniture fails (i.e. broken frame or weld) within the first year of ownership, ATLeisure LLC will repair, provide replacement parts, or replace the product at our option. Frame finishes are warranted against blistering, cracking, or peeling for 1 year from purchase date.

This is a residential use warranty only. Warranty is void for product used in commercial settings. This warranty is a limited warranty and applies to the original purchase only. Proof of purchase is required.

NOT COVERED UNDER WARRANTY

Failure caused by unreasonable or abusive use, fire, freight damage, acts of nature (such as, but not limited to freezing or high winds), suntan oil or other chemicals, normal fading, scratching or chipping of the finish, fading, weathering or staining or discoloration of furniture, accidental damage, repair, or modifications by customer, glass breakage, normal wear and tear are excluded from the warranty. Furniture used in commercial, contract or any other non-residential applications; clearance items, and display models are not covered under this warranty. In no event shall ATLeisure LLC's responsibility exceed the value of the replacement part/product. Freight damage is not covered under this warranty. Freight and packaging charges to return a product or part are not covered under this warranty.

PICTURE	DESCRIPTION	QTY(PC)
A. 	Washer	16
B. 	Bolt (M6x20)	16
C. 	Inner Hexagon Wrench	1
D. 	Cap	16

PREPARATION

Assemble product on a soft surface to prevent damage during assembly. Before assembling make sure all parts are present. Compare parts with package contents list and diagram above. If any part is missing or damaged, do not attempt to assemble the product or return to the place of purchase. Contact our customer service toll free at 1-855-880-7205 for replacement parts.

Tools Required for Assembly: Inner hexagon wrench included in package.