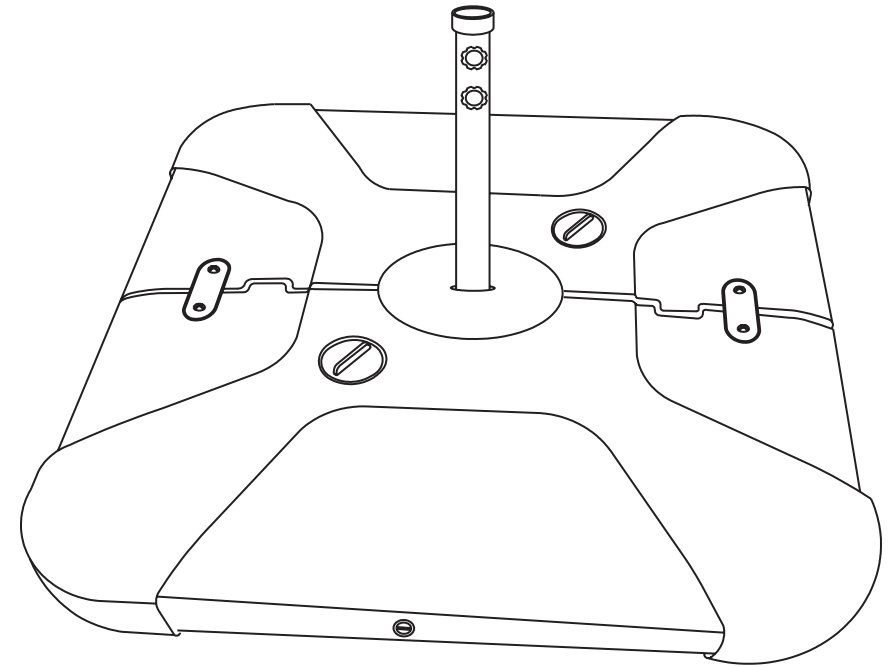




Offset Umbrella Base Assembly and User Manual

ITEM: UBS-930200
#M42930



The schematics in this manual are for assembly and operation illustration only. They may differ from the stand's actual appearance.



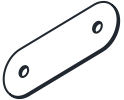





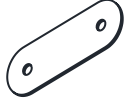



www.atleisure.com
ATLANTA, GEORGIA
Customer Service Toll Free 1-855-880-7205
Monday through Friday from 8:00am-5:00pm
(Eastern Time)

For additional product information, please contact our
Customer Service Center toll free at 1-855-880-7205
between 8am and 5pm Eastern Time, Monday through Friday.




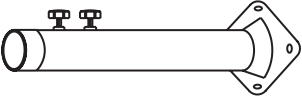


2. Package Contents |

| Replacement Parts 7.

PART	PICTURE	DESCRIPTION	QTY(PC)
C		Base with Top Plug & Side Plug	2
F		Pole Support Cap	1
G		Connector Metal Plate	2
H		Screw	12

DESCRIPTION	PICTURE	RE-ORDER NO.
Base		BSE-CBSE-GRY
Pole Support Cap		BSE-FPSC-GRY
Metal Plate		BSE-GMP-GRY
Screw		HDW-HSCW-GRY
Top Plug		BSE-KPLG-GRY
Side Plug		BSE-LPLGSD-GRY

Parts Needed from Umbrella |

PART	PICTURE	DESCRIPTION	QTY(PC)
A		Lower Cross Leg (not included)	1
B		Upper Cross Leg (not included)	1
D		Control Knob (not included)	2
E		Holder Pole (not included)	1
I		Hex Bolt (not included)	4
J		Flat Washer (not included)	4

6. Warranty |

90-DAY WARRANTY

This product is covered under a manufacturer's 90-day warranty from date of purchase against defects in materials and workmanship. This warranty does not cover damage due to neglect, abuse or weather related damage. For full warranty disclosure, email us at customerservice@atleisure.com.

HOW TO FILE A CLAIM

If you are within your warranty, to file a claim you must have your receipt and pictures of your damaged product. Email information to ATLeisure at customerservice@atleisure.com.

| Instructions Of Set-Up & Operation 3.

Before beginning assembly of product, make sure all parts are present. Compare parts with package contents list and diagram above. If any part is missing or damaged contact our customer service toll free at **1-855-880-7205** for replacement parts or further instructions.

Step 1. Place two bases (C) on a flat and non-abrasive surface and connect them with metal plate (G). Then tighten the screws (H).

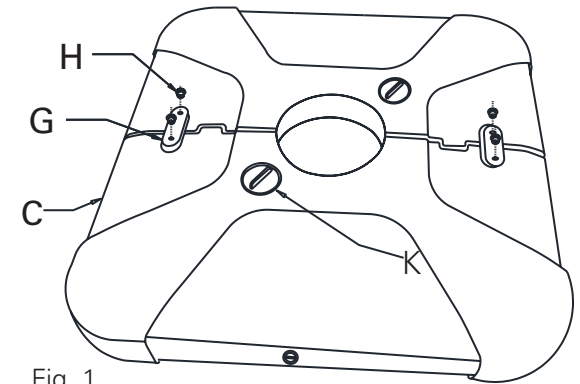


Fig. 1

Step 2. Turn over the base (C) on a flat and non-abrasive surface to avoid scratching. Then put the upper cross leg (B) and lower cross leg (A) into the groove. Finally tighten the screws (H) to the holes.

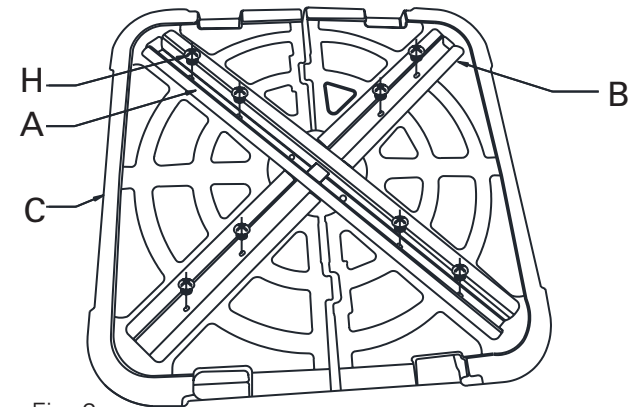
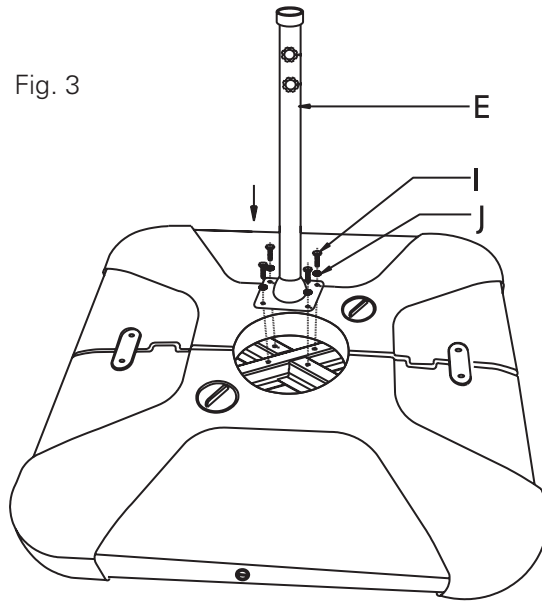


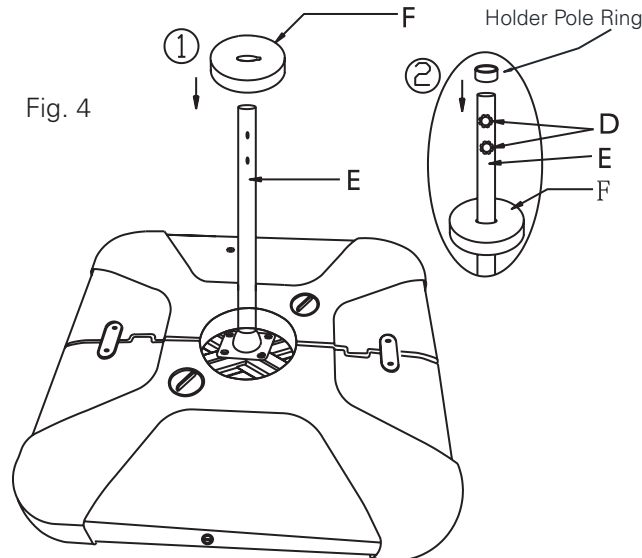
Fig. 2

4. Instructions Of Set-Up & Operation (cont'd) |

Step 3. Turn base back over and attach the holder pole (E) to the cross legs (A&B) with the bolts (I) and washers (J).

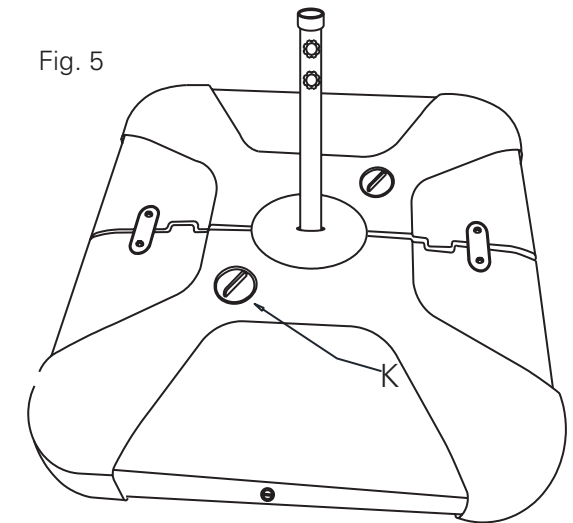


Step 4. Take off both control knobs (D) and holder pole ring and insert the holder pole cap (F) over the holder pole until it lies on the base.

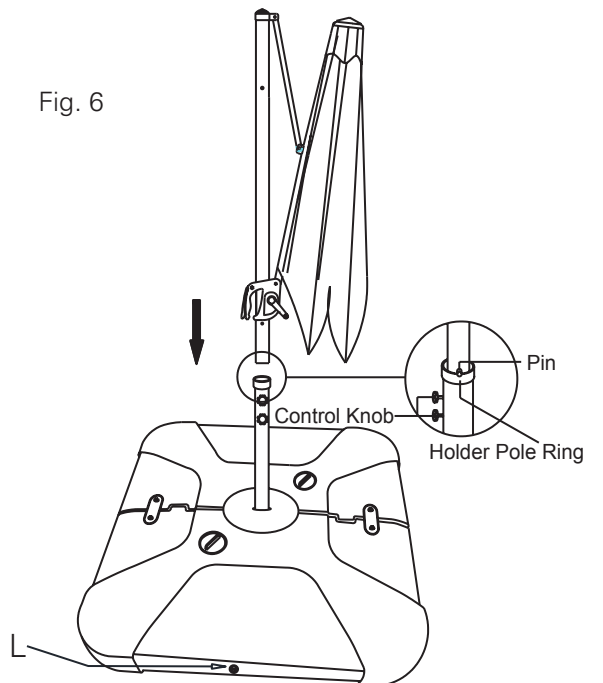


| Instructions Of Set-Up & Operation (cont'd) 5.

Step 5. Open the plugs (K) and fill the base with water or sand.



Step 6. Now you are ready to secure the umbrella to the molded base by tightening the control knobs.



Step 7. When moving or storing umbrella for winter use the side plug to drain the water.