

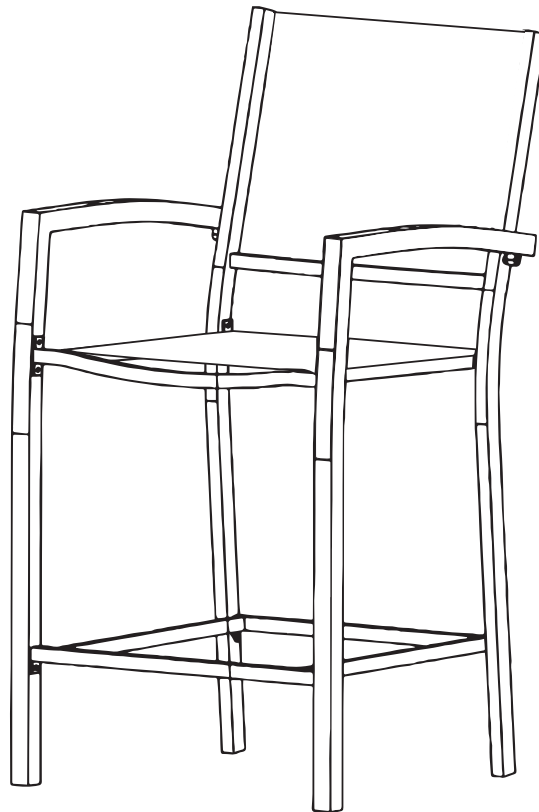


100846656 green
Item #100846657 grey
100846658 teal
Model #FRN-102053-C

USE AND CARE GUIDE

WHITE ROCK CHAIR

Questions, problems, missing parts? Before returning to the store,
call Hampton Bay Customer Service
8 a.m. - 7 p.m., EST, Monday - Friday, 9 a.m. - 6 p.m., EST, Saturday



1-877-527-0313

HOMEDEPOT.CA

THANK YOU

We appreciate the trust and confidence you have placed in Hampton Bay through the purchase of this chair. We strive to continually create quality products designed to enhance your home. Visit us online to see our full line of products available for your home improvement needs. Thank you for choosing Hampton Bay!

Table of Contents

Table of Contents	2	Hardware Contents	3
Warranty	2	Package Contents	4
What is covered	2	Assembly	5
What is not covered	2	Filing a Claim	7
Pre-Installation	2	Care & Cleaning	7

Warranty

TWO YEAR LIMITED FRAME WARRANTY

WHAT IS COVERED

The frame is warranted to be free of manufacturing defects for two year from purchase date. If the frame of your furniture fails (i.e. broken frame or weld) within the two years of ownership, Hampton Bay will repair, provide replacement parts, or replace the product at our option. Frame finishes are warranted against blistering, cracking, or peeling for two years from purchase date.

This is a residential use warranty only. Warranty is void for product used in commercial settings. This warranty is a limited warranty and applies to the original purchase only. Proof of purchase is required.

WHAT IS NOT COVERED

Failure caused by unreasonable or abusive use, fire, freight damage, acts of nature (such as, but not limited to freezing or high winds), suntan oil or other chemicals, normal fading, scratching or chipping of the finish, fading, weathering or staining or discoloration of furniture, accidental damage, repair, or modifications by customer, glass breakage, normal wear and tear are excluded from the warranty. Furniture used in commercial, contract or any other non-residential applications; clearance items, and display models are not covered under this warranty. In no event shall Hampton Bay responsibility exceed the value of the replacement part/product. Freight damage is not covered under this warranty. Freight and packaging charges to return a product or part are not covered under this warranty.

Contact the Customer Service Team at 1-877-527-0313 or visit www.homedepot.ca.

Pre-Installation

PLANNING INSTALLATION

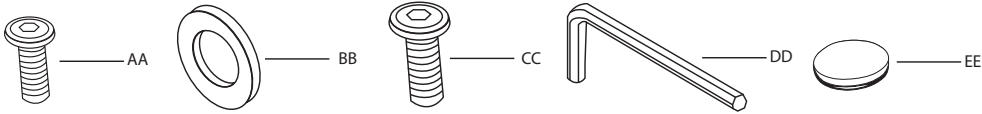
Assemble the product on a soft surface to prevent damage during assembly. Before assembling make sure all parts are present. Compare parts with the package contents list and diagram on page 4. If any part is missing or damaged, do not attempt to assemble the product or return to the place of purchase. Contact our customer service toll free at 1-877-527-0313 for replacement parts.

Pre-Installation (continued)

HARDWARE INCLUDED



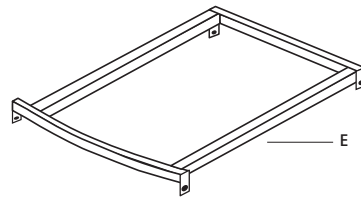
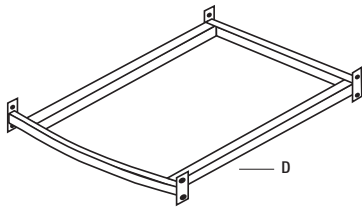
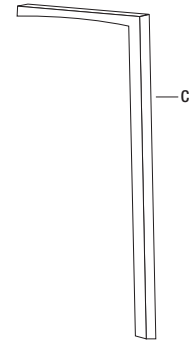
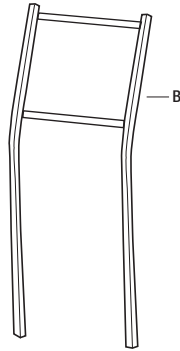
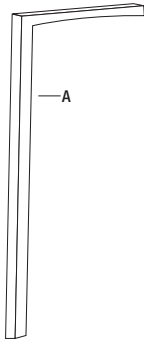
NOTE: Hardware not shown to actual size.



Part	Description	Quantity
AA	Bolt (M6 x 20)	12
BB	Washer	14
CC	Bolt (M6 x 30)	2
DD	Hex Wrench	1
EE	Cap	14

Pre-Installation (continued)

PACKAGE CONTENTS

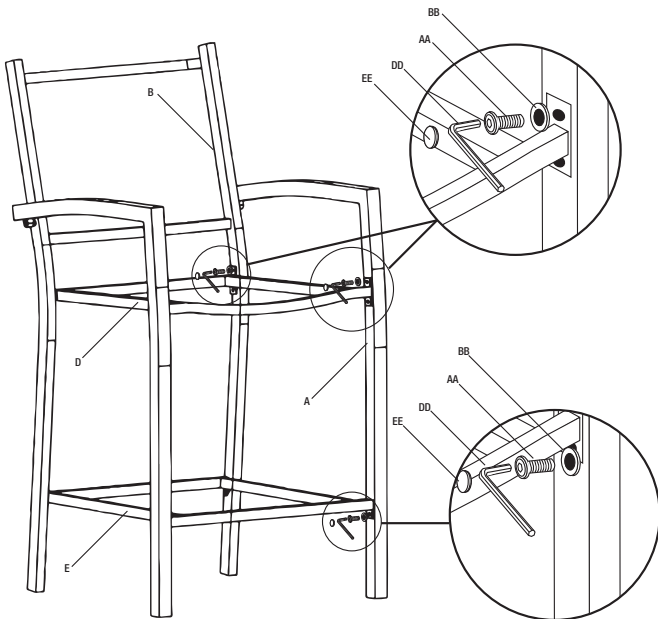


Part	Description	Quantity
A	Left Armrest	1
B	Chair Back	1
C	Right Armrest	1
D	Chair Seat	1
E	Pedal Support Frame	1

Assembly

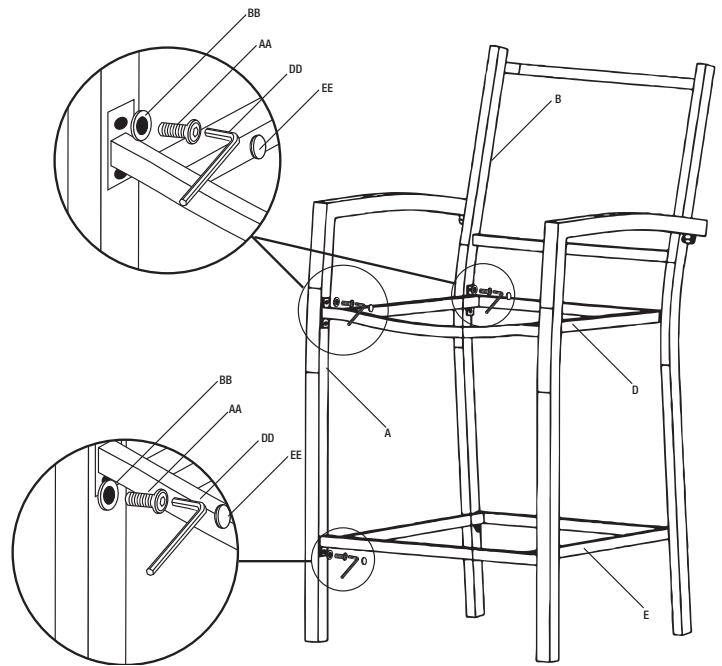
1 Attach the Chair Seat and Pedal Support Frame (left side)

- Attach the bottom of the Chair Seat (D) and Pedal Support Frame (E) to the Left Armrest (A) and the Chair Back (B) with Bolts (AA) and Washers (BB) using the Hex Wrench (DD). Do not over tighten the bolts.
- Attach the Caps (EE).



2 Attach the Chair Seat and Pedal Support Frame (right side)

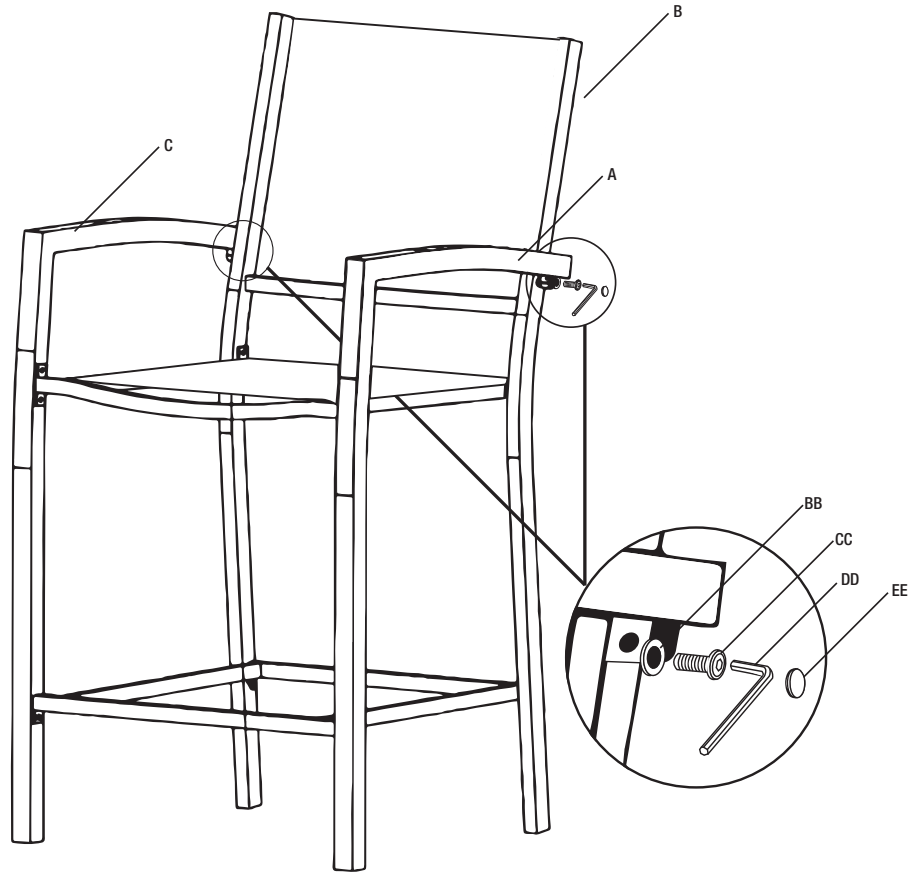
- Then attach the Chair Seat (D) and Pedal Support Frame (E) to the Right Armrest (C) and the Chair Back (B) with Bolts (AA) and Washers (BB) using the Hex Wrench (DD). Do not over tighten the bolts.
- Attach the Caps (EE)



Assembly (continued)

3 Attach the Armrest to the Chair Back

- Finally, use the Hex Wrench (DD) with Bolts (CC) and Washers (BB) to connect the Left and Right Armrest (A and C) to the Chair Back (B).



Filing a Claim

- If you are within your warranty, to file a claim you must have your receipt and pictures of the damaged part of your product. If filing a claim please contact us at 1-877-527-0313 or visit us through our website: www.homedepot.ca.

Care and Cleaning

Clean with a cloth, mild soap and water.



Questions, problems, missing parts? Before returning to the store,
call Traffic Master Customer Service
8 a.m.-6 p.m., EST, Monday-Friday, 9 a.m. - 6 p.m., EST, Saturday

1-877-527-0313

HOMEDPOT.CA

Retain this manual for future use.